

BC 25 HR  
BC 30 HR

320388

390140 BC 25 HR

390141 BC 30 HR  
BC 30 HR A

341456 BC 25 HR

341460 BC 30 HR  
BC 30 HR A

322151

441107

322908 BC 30 HR  
BC 30 HR A

322907 BC 25 HR

160772

411004

260238

180506

460356 BC 25 HR  
460357 BC 30 HR

351258

321156

02 - 2000 S. AG.

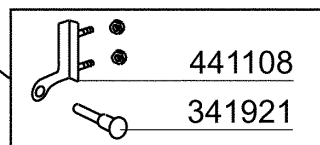
390138 BC 25 HR  
BC 30 HR

150818

SP4782 BC 30 HR A

322150

390142



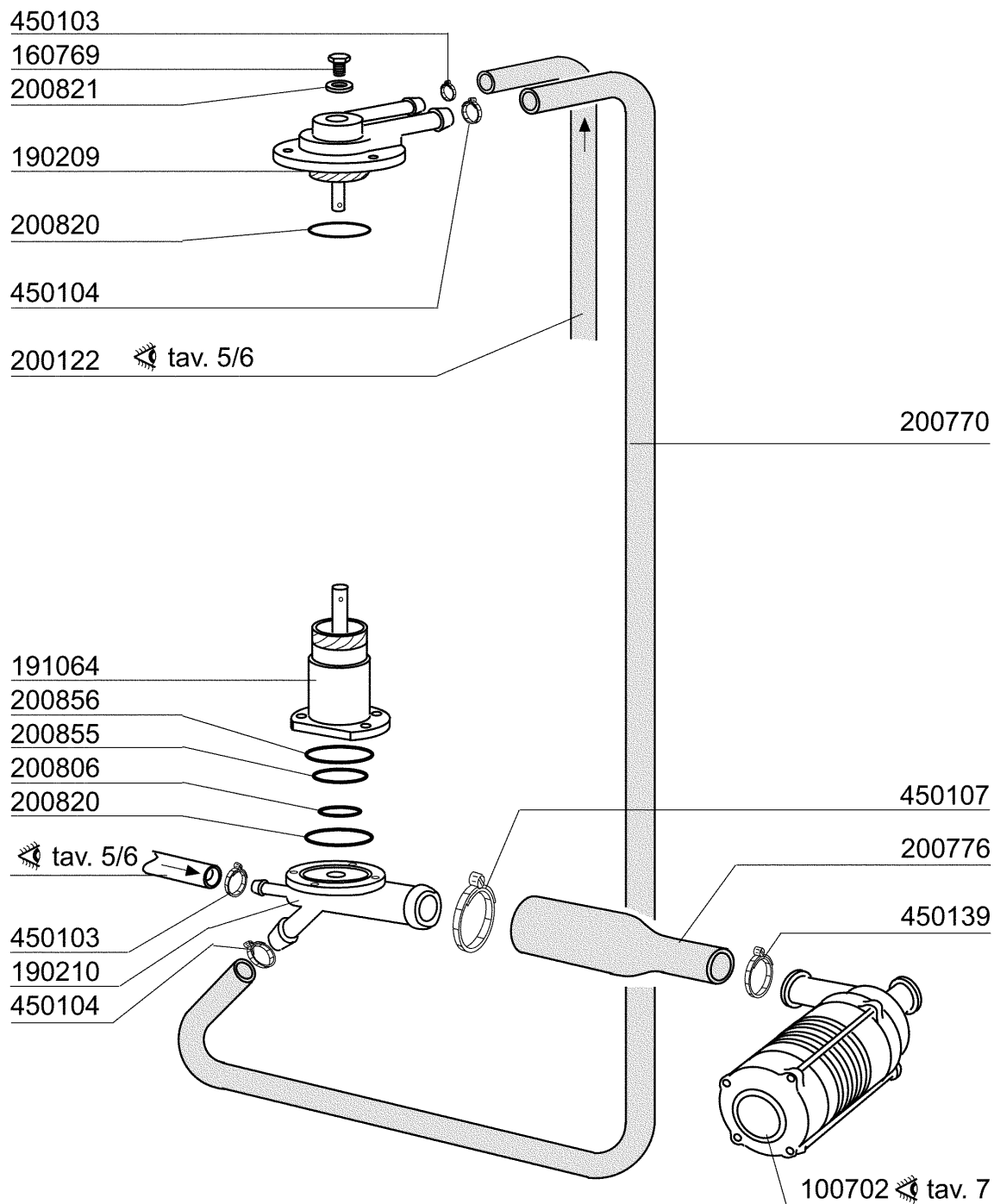
210204

260139

351259

2 - Hood

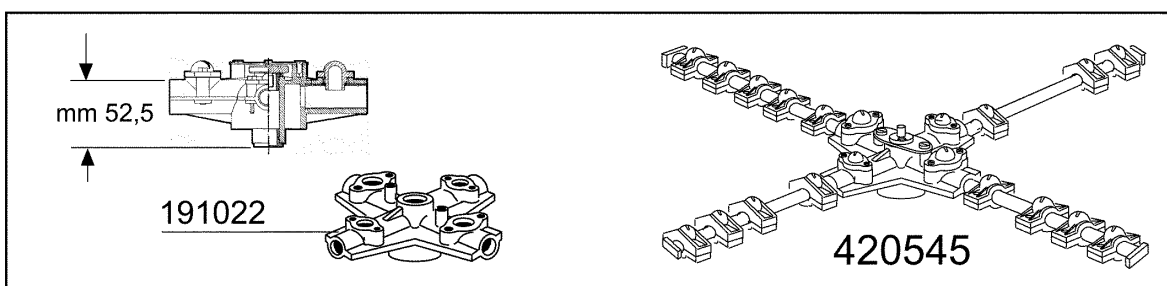
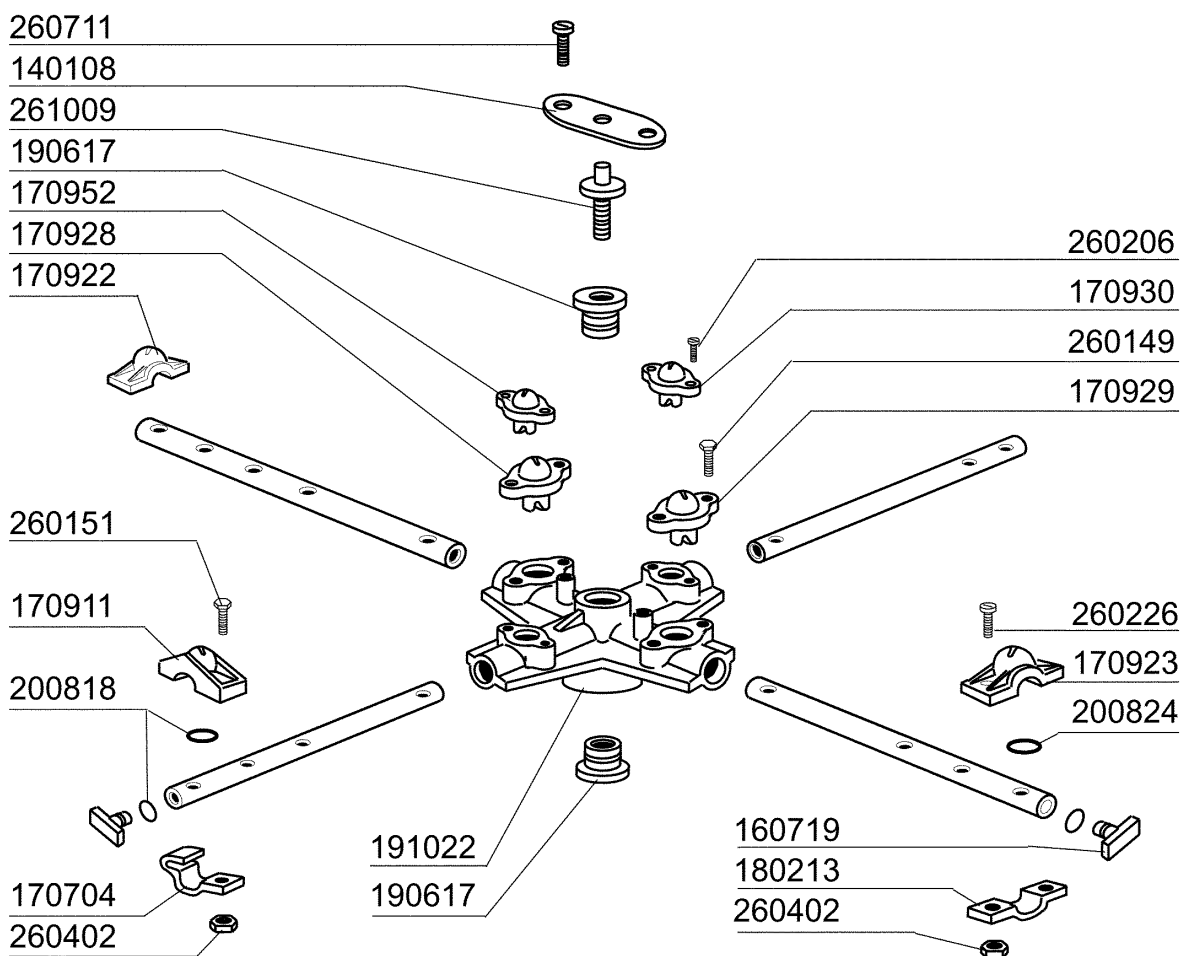
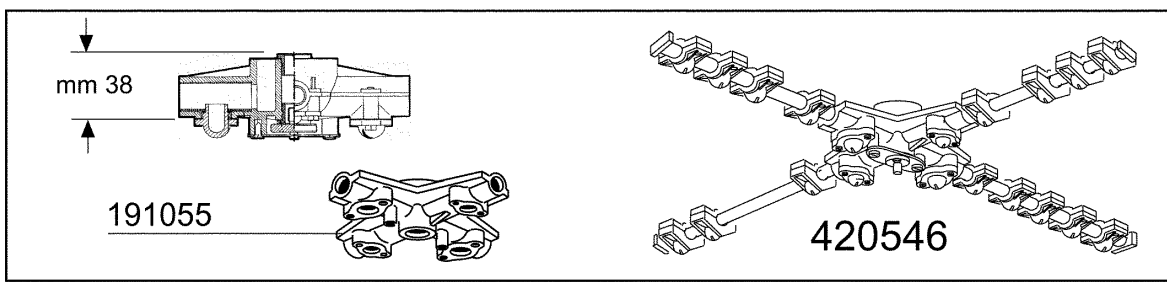
CODE	DESCRIPTION
150818	CABLE HOLDER PG 13,5
160755	PLUG FOR MACHINES WITHOUT SOFT
160772	PLUG FOR DOOR (BR-BC-FC)
160836	DOOR WASHER BR-BC-FC
160837	GASKET FOR TIE ROD BC-FC
160909	SUPPORT FOR GASKET
180506	DOOR CATCH BR-BC-FC
190644	SPACING NUT FOR TIE ROD BR-BC-
200489	GASKET 81X68X3
210204	FOOT FOR B20-10-11-12-15 ‡
260139	SCREW TE 5X16
260238	M4 X 10 MUSH/HD SCREW
320388	TOP PANEL BR-BC-FC43
321156	COVER FOR RINSE AID CONTAINER
322150	RIGHT GUIDE BC25-30
322151	LEFT GUIDE BC25-30
322907	DOOR BR25-BC25-BC25HR
322908	DOOR BC30-BC30HR-FC43
330227	DOOR ROD FOR BR-BC-FC43
341456	HOOD BC25
341460	HOOD BC30-FC43
341921	DOOR PIN BR-BC
341922	PIN FOR TIE ROD DOOR BR-BC
351258	LOWER FRONT PANEL BR-BC-FC43
351259	CENTRAL FRONT PANEL BR-BC-FC43
390138	LOWER BACK PANEL BR/BC20-25
390140	BACK PANEL BR/BC25
390141	BACK PANEL BC30/FC43
390142	LOWER COVER BR-BC-FC43
411004	PERMANENT MAGNET FOR MICROSWIT
441107	DOOR HINGE BR-BC-FC LEFT
441108	DOOR HINGE BR-BC-FC RIGHT
460356	BC25HR NAME
460357	BC30HR NAME
SP4782	BACK LOWER PANEL BC30HRA



02 - 2000 S. AG.

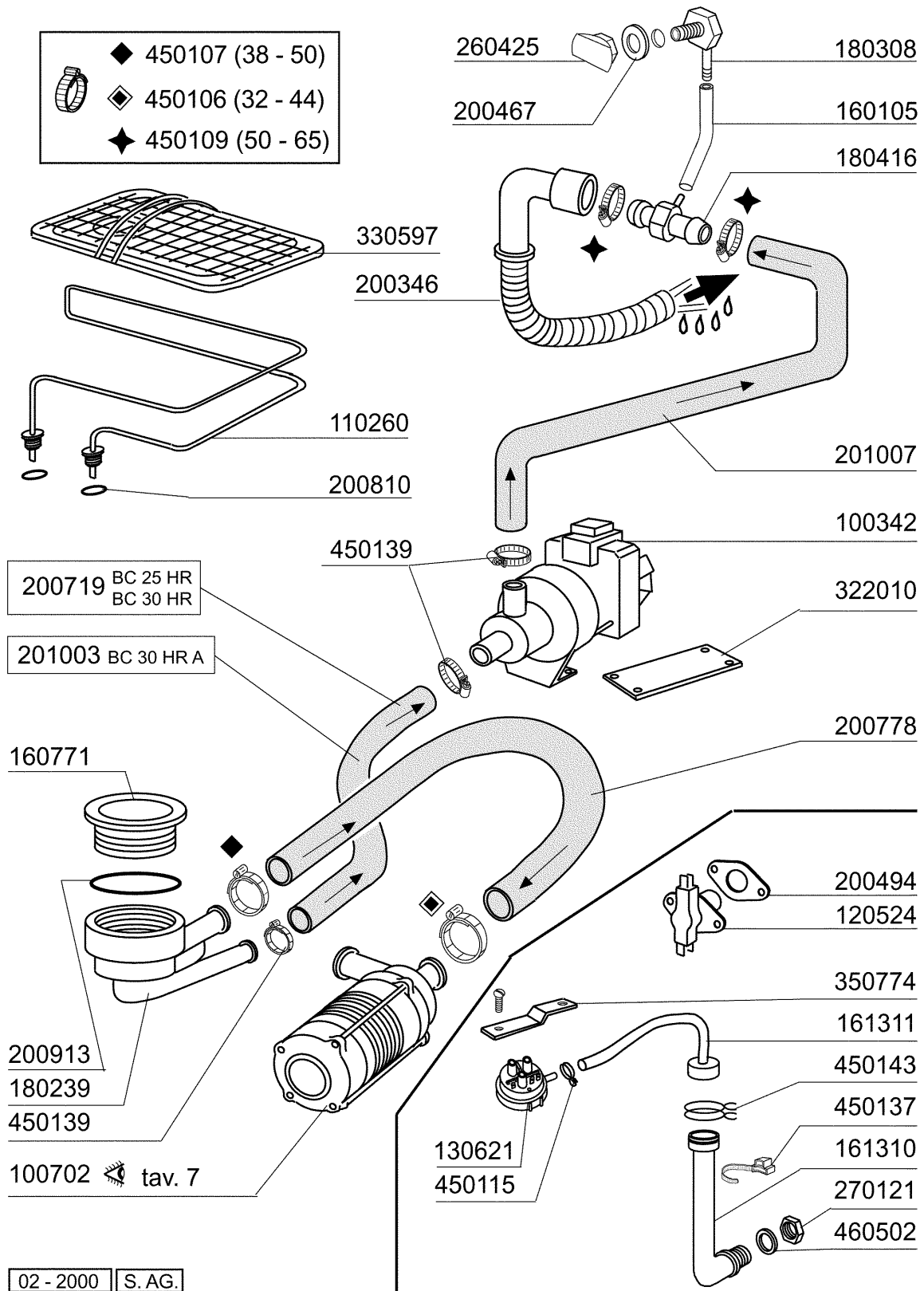
### 3 - Wash Column

CODE	DESCRIPTION
100702	PUMP HP 0,3 220/240-50-2229
160769	PLUG F.UPPER WASH ARM SUPPORT
190209	UPPER WASH/RINSE ARM SUPPORT "
190210	BOTTOM TEE WASH/RINSE BC-FC43
191064	LOWER WASH ARM SUPPORT FOR BC-
200122	HOSE 11X19
200770	UPPER/LOWER WASH HOSE B18TM-B1
200776	OUTLET HOSE FOR "BC-FC43" PUMP
200806	O-RING 2,62X13,10X18,34
200820	O-RING151 46,99X5,33X57,6
200821	O-RING 2,62X20,63
200855	GASKET LOWER WASH ARM SUPPORT
200856	O-RING 82,22X87,46X2,62
450103	CLAMP FE ZN. 13-20 H=9
450104	CLAMP FE ZN H=12,5 15-24
450107	CLAMP FE ZN 38-50 H=12,2
450139	CLAMP 26-38 H=9



#### 4 - Wash arm

CODE	DESCRIPTION
140108	PLATE FOR WASH ARM
160719	PLUG FOR WASH ARM D.18
170704	RINSE NOZZLE BOTTOM F-B-C33
170911	RINSE JET B23-F2-C34
170922	WASH JET LEFT DLX-ULX
170923	WASH JET RIGHT ULX-DLX
170928	IDLE JET F2-C-GRAY
170929	RINSE JET F2-C-GRAY
170930	IDLE JET F2-C-GRAY
170952	WASH JET BC HR
180213	FLANGE F.JET LOCKING F2-C34
190617	BUSH
191022	WASH ARM CENTRAL CROSS F-B
191055	CENTRAL CROSS F.UPPER WASH ARM
200818	O-RING 1,78 X 6,75 X 10,31
200824	O-RING 1,78X12,42X15,98
260149	SCREW TE 4X25
260151	SCREW TE 4X12
260206	SCREW TCP 4X22
260226	STAINL.ST TCP SCREW 4X12 A2 UN
260402	STAINLESS STEEL NUT D4 UNI 55
260711	SCREW 4,2X13 A2 DIN7972
261009	RETAIN.SCREW FOR WASH-RINSE AR
420545	LOWER WASH ARM BCHR
420546	UPPER WASH ARM BCHR

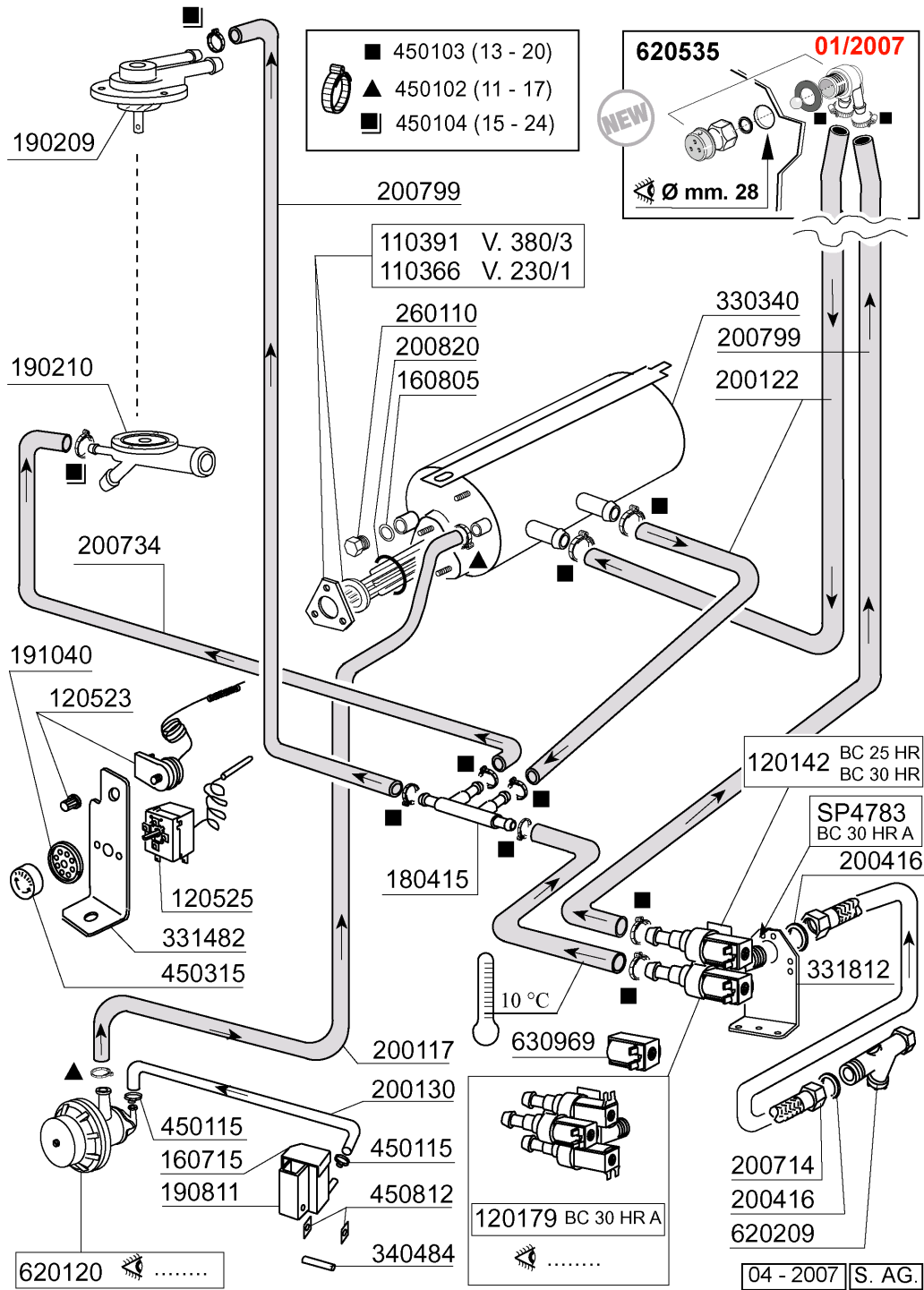


02 - 2000 S.A.G.

## 5 - Drain pump

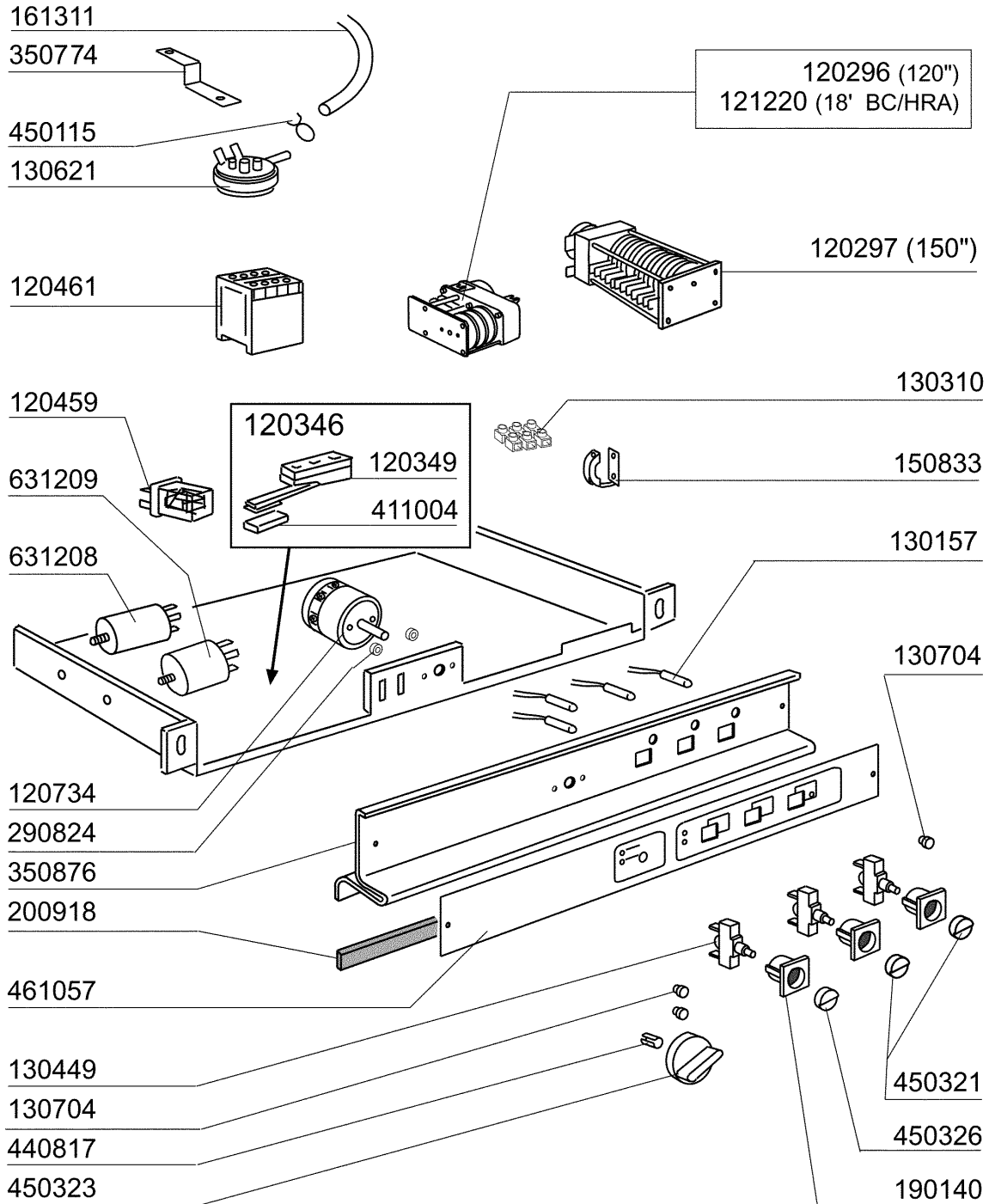
CODE	DESCRIPTION
100342	DRAIN PUMP 100 W 220V
100702	PUMP HP 0,3 220/240-50-2229
110260	HEAT.ELEMENT 1275W 230V BR-BC-
120524	TANKTHERMOSTAT GLASSWASHER
130621	PRESSURE SWITCH FOR BC HR 45/2
160105	INJECT.INLET HOSE D.6X4
160771	NUT
161310	AIR CHAMBER FOR GLASSWASHERS B
161311	HOSE FOR AIR CHAMBER BC-BR-AC9
180239	SUCTION BASIN BR-BC-FC43
180308	INJECTOR
180416	TEE FOR DRAIN PUMP "HR"
200346	DRAIN HOSE GLASSWASHER
200467	DUTRAL GASKET F. AIR TRAP
200494	GASKET FOR TANKTHERMOSTAT BT
200719	INLET HOSE B23-10-1-2
200778	DELIVERY HOSE BR-BC-FC43
200810	O-RING 2,62X9,92X15,6 F.GLASSW
200913	GASKET FOR SUCTION BASIN BR-BC
201003	DRAIN PUMP INLET HOSE BC30HRA
201007	DRAIN PUMP HOSE EXTENSION
260425	LEAKING NUT FOR DRAIN PUMP HR
270121	NUT FOR AIR TRAP
322010	BRACKET FOR FOOT
330597	TANK FILTER BCHR
350774	BRACKET
450106	CLAMP FE ZN 32-44 H=12,2
450107	CLAMP FE ZN 38-50 H=12,2
450109	CLAMP 50-65
450115	ELASTIC CLAMP D.8,3/7,8
450137	COLLAR CONNECTION WITH BASE 31
450139	CLAMP 26-38 H=9
450143	CLAMP D.39,7 X 37,7
460502	GASKET 30X21X2





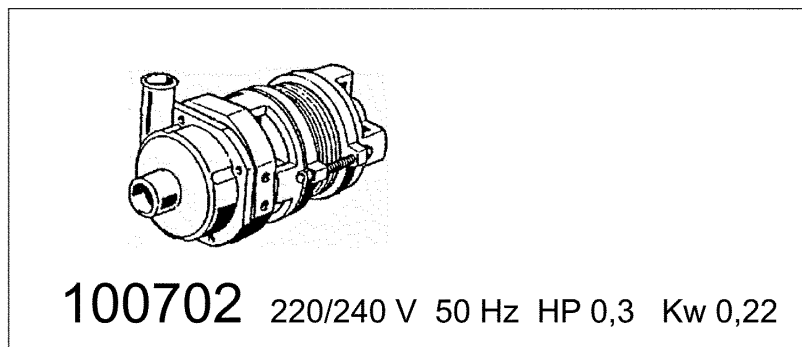
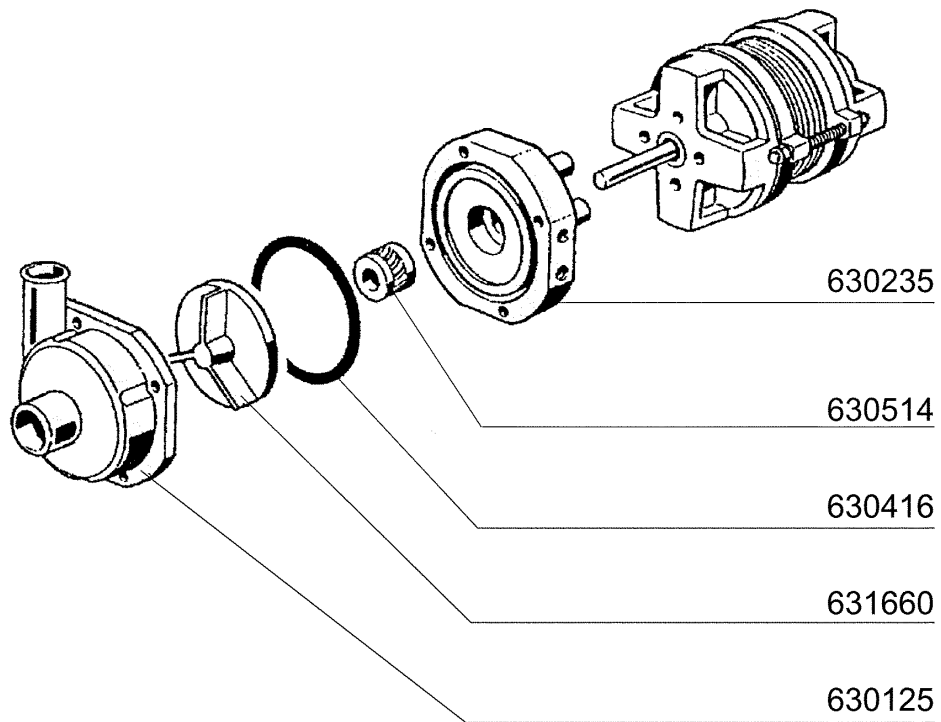
## 6 - Rinse assembly

CODE	DESCRIPTION
110366	HEAT.ELEM./BOILER 3200W 230V
110391	BOOSTER HEATER 5000W 220/380V
120142	SOLENOID VALVE 90Ø2WAYS 220V
120179	3-WAYS SOLENOID VALVE 90Ø
120523	SAFETY THERMOSTAT 110Ø
120525	BOOSTER THERMOSTAT 2 TEMPERAT.
160715	COVER FOR RINSE AID CONTAINER
160805	GASKET D.8
180415	TEE NIPPLE DOUBLE "T"
190209	UPPER WASH/RINSE ARM SUPPORT "
190210	BOTTOM TEE WASH/RINSE BC-FC43
190811	RINSE INJECTOR
191040	FRAME F.THERMOSTAT KNOB
200117	RUBBER HOSE 7X16
200122	HOSE 11X19
200130	RINSE AID INJECTOR SUCTION HOS
200416	GASKET D. 3/4"
200714	GLASSWASHER INLET HOSE
200734	HOSE FOR RINSE
200799	HOSE
200820	O-RING151 46,99X5,33X57,6
260110	SCREW TE 8X10
330340	BOILER BR-BC-FC43
331482	BRACKET FOR 2 THERMOST. B-F20
331812	BRACKET F.SOLEN.VALV BT
340484	SHAFT F. RINSE AID CONTAINER
450102	CLAMP FE ZN 11-17 H=9
450103	CLAMP FE ZN. 13-20 H=9
450104	CLAMP FE ZN H=12,5 15-24
450115	ELASTIC CLAMP D.8,3/7,8
450315	KNOB F. THERMOSTAT 90Ø
450812	SPRING FOR SPINDLE (CODE NO.34
620120	RINSE AID INJECTOR
620209	INLET WATER FILTER
620535	VACUUM BREAKER
630969	COIL S4216 220/50HZ
SP4783	SOLENOID VALVE BRACKET



## 7 - Control box

CODE	DESCRIPTION
120296	DRAIN TIMER 120"
120297	TIMER 150" BC25HR - BC30HR
120346	DOOR MICROSWITCH WITH MAGNET
120349	DOOR MICROSWITCH BR-BC-FC43
120459	AUXIL.RELE 16A 220V
120461	CONTACTOR ABB B6-30-01 220V
120734	6 POLE SWITCH 2 POSITIONS
121220	TIMER REGENERATION
130157	GREEN LED FOR BR-BC-C-SERIES -
130310	TERMINAL BLOCK 3 POSITIONS
130449	PUSH BUTTON BR-BC-FC
130621	PRESSURE SWITCH FOR BC HR 45/2
130704	GREEN COLOUR.IND.LAMP COVER
150833	CABLE HOLDER BC/BR
161311	HOSE FOR AIR CHAMBER BC-BR-AC9
190140	BUTTON HOLDER BR-BC-FC
200918	DOOR GASKET BR-BC-FC43
290824	DISTANCE PIECE FOR BR-BC-FC SW
350774	BRACKET
350876	SUPPORT FOR CONTROL PANEL BRA-
411004	PERMANENT MAGNET FOR MICROSWIT
440817	SNAP RING LSCB/1853/17/00
450115	ELASTIC CLAMP D.8,3/7,8
450321	GREY COVER FOR PUSH BUTTON BR-
450323	KNOB FOR BC-BR-C95-C155
450326	PUSH BUTTON "CYCLE" GREEN
461057	CONTROL PANEL BCHR
631208	CONDENSER 5MF.450V
631209	ANTI-NOISE FILTER



## 8 - Wash pump

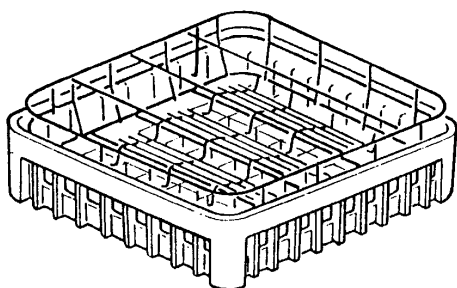
CODE	DESCRIPTION
100702	PUMP HP 0,3 220/240-50-2229
630125	VOLUTE 0,12/0,3(2212-29)
630235	PUMP COVER 0,12/0,3 2212-19
630416	OR FOR VOLUTE 0,12/0,3
630514	PUMP SEAL FIR4208
631660	IMPELLER F.2229 HP 0,3-50 HZ



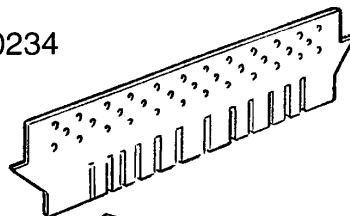
9 - Rinse aid injector

CODE	DESCRIPTION
160714	PLUG FOR RINSE AID INJECTOR MO
170701	LOCK NUT 1/2" F.INJECTOR
180306	NIPPLE F.RINSE AID INJECTOR
190107	COVER FOR RINSE AID DISPENSER
190108	VOLUTE FOR RINSE AID DISPENSER
190803	GASKET SUPPORT RING F.INJECT
191018	FILTER SUPPORT RINSE AID INJEC
200444	SUCTION VALVE RINSE INJECTOR
200816	O-RING 2,5X59,2X64,2 RINSE INJ
200825	O-RING 3X5X11 RINSE INJECTOR
200861	O-RING 14X18X2
260142	SCREW TE 4X16
260213	SCREW TCP 5X25
260402	STAINLESS STEEL NUT D4 UNI 55
260404	STAINLESS STEEL NUTS D6 UNI 55
260512	ST/ST GROWER WASHER D6
330543	FILTER RINSE AID INJECTOR D.17
340483	PISTON FOR RINSE AID DISPENSER
381105	DIAPHRAGME DISC
440405	GASKET FOR RINSE AID INJ.
450214	SPRING RINSE AID INJECTOR
620120	RINSE AID INJECTOR
630614	DIAPHRAGM RINSE INJECTOR

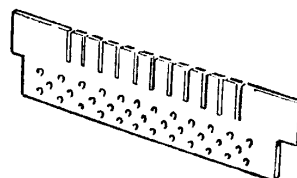




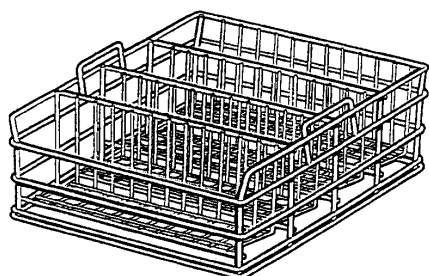
660714



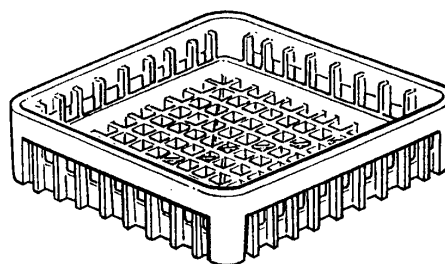
660234



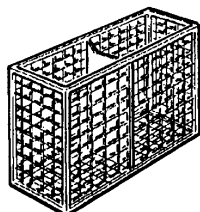
660235



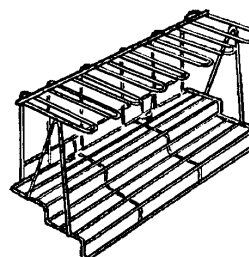
520131



660712



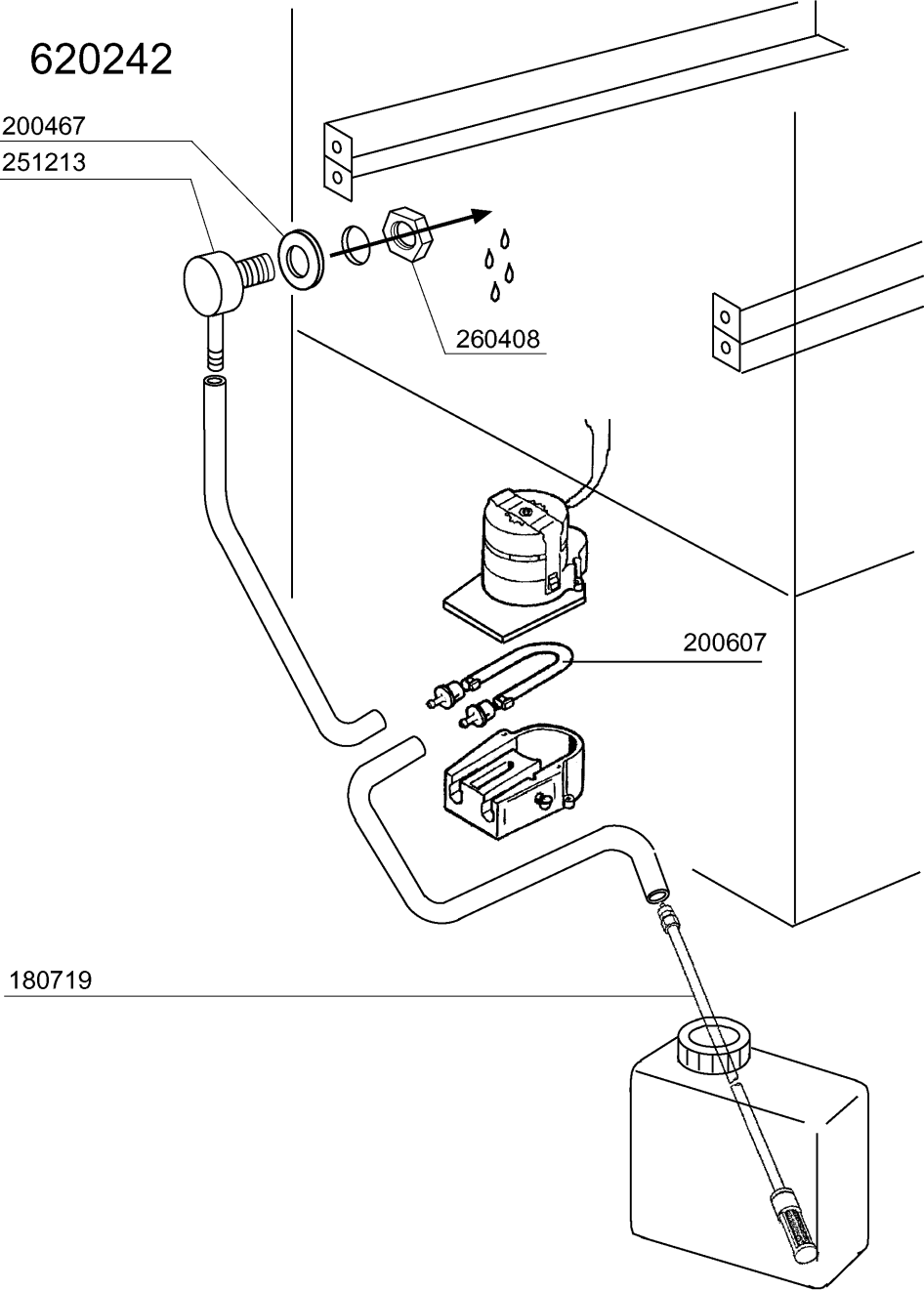
660519



520611

**10 - Rack**

<b>CODE</b>	<b>DESCRIPTION</b>
520131	GLASS RACK 40X40 H270
520611	INSERT FOR CHAMPAGNE GLASSES
660234	UPPER INSERT FOR 16-25-36 GLAS
660235	LOWER INSERT FOR 16-25-36 GLAS
660519	2-PLACES CUTLERY HOLDER
660712	BASE RACK 400X400
660714	GLASS RACK (400X400)



10 - 2000 | S. AG.

## 11 - Detergent dispenser

<b>CODE</b>	<b>DESCRIPTION</b>
180719	DETERGENT DISPENSER SUCTION HO
200467	DUTRAL GASKET F. AIR TRAP
200607	DETERGENT DISPENSER HOSE
251213	INJECTIOR S/S FOR DETERGENT IN
260408	S/S NUTS D.12
620242	DETERGENT INJECTOR (KIT)